



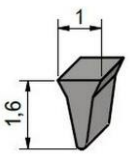
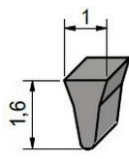
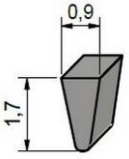
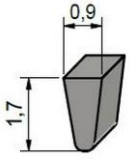
HEIN | LEHMANN

RIMA®

WEDGE WIRE VERSIONS

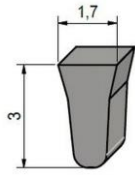
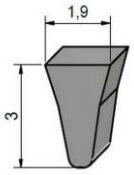
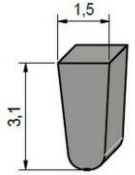
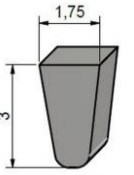
WEDGE WIRE VERSIONS

Wedge width: 0.90 – 1.00 mm

Designation	12 Fa	12 Wa	12 Fb	12 Wb
Slot widths	0.05-0.10	0.15-0.75	0.10-0.20	0.25-0.85
Wedge sizes				
Materials	1.4301, 1.4306, 1.4404			

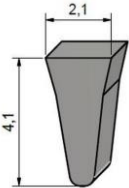
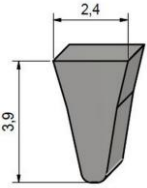
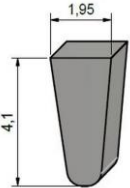
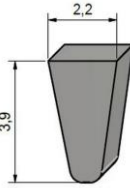
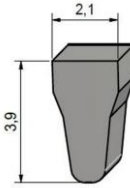
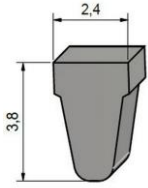
WEDGE WIRE VERSIONS

Wedge width: 1.50 – 1.90 mm

Designation	22 Fa	22 Wa	22 Fb	22 Wb
Slot widths	0.05-0.40	0.50-1.20	0.10-0.50	0.50-1.20
Wedge sizes				
Materials	1.4301, 1.4404			

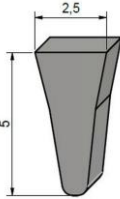
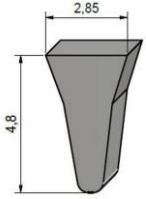
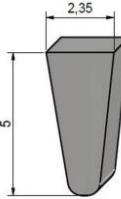
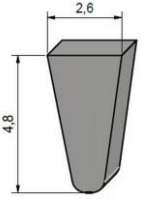
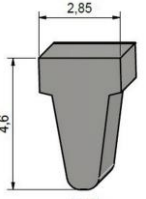
WEDGE WIRE VERSIONS

Wedge width: 1.95 – 2.40 mm

Designation	28 Fa	28 Wa	28 Fb	28 Wb	28 Fc	28 Wc
Slot widths	0.05-0.50	0.05-1.50	0.10-0.50	0.50-2.00	0.10-0.50	0.50-1.50
Wedge sizes						
Materials	1.0313, 1.4016, 1.4301, 1.4306, 1.4401, 1.4404, 1.4539, 2.4858, 3.7025, 3.7235					

WEDGE WIRE VERSIONS

Wedge width: 2.35 – 2.85 mm

Designation	34 Fa	34 Wa	34 Fb	34 Wb	34 Wc
Slot widths	0.20-0.75	0.50-2.00	0.20-0.75	0.50-3.00	0.50-2.00
Wedge sizes					
Materials	1.0313, 1.4016, 1.4401, 1.4439, 1.4539				

WEDGE WIRE VERSIONS

Wedge width: 2.35 – 2.85 mm

Designation	42 Fa	42 Wa	42 Wb	42 Fc	42 Wc
Slot widths	0.30-0.75	0.75-2.50	0.75-3.00	0.30-0.75	0.75-2.50
Wedge sizes					
Materials	1.4016, 1.4404				

CALCULATION OF THE PASSAGE SURFACE IN %

$$\frac{\text{Slot width}}{(\text{wedge width} + \text{slot width})} \times 100$$