



HEIN | LEHMANN

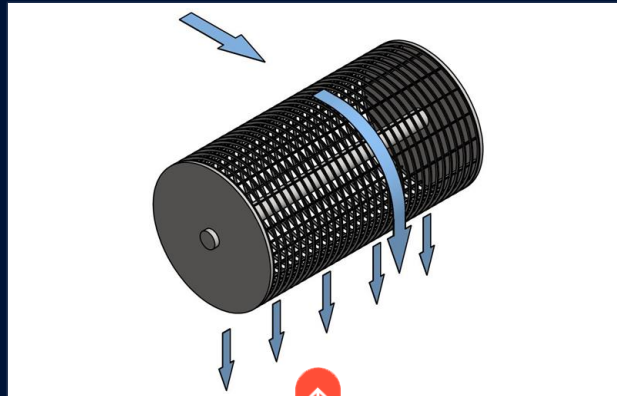
WEDGE WIRE

APPLICATION EXAMPLES



WATER

Screen cylinders, curved screens, and half shells are used, among other things, in drinking water or sewage treatment, sludge dewatering, and sea water desalination.

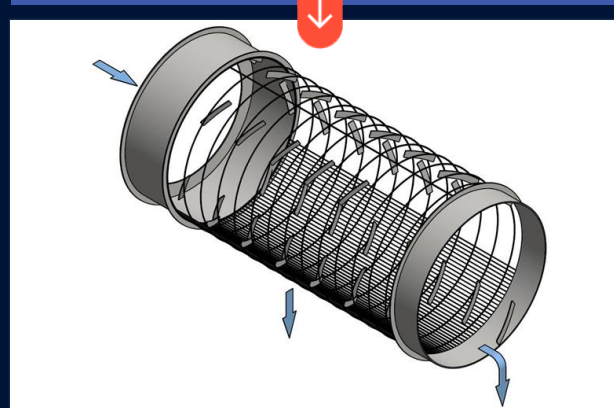


Screen cylinders for dewatering the coarse materials or solids from industrial sewage.

Design: Screen area on the inside/slot direction axial

Screen drum for dewatering the coarse materials or solids from industrial sewage.

Design: Screen area on the outside/slot direction radial





APPLICATION OF A CURVED SCREEN

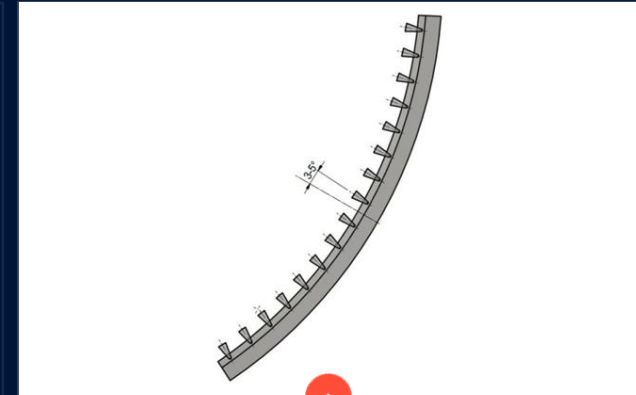
Curved screens have many different applications.
They are used as static curved screens in **water treatment, pond filtration, and in screen mills.**

They are also used in the food industry, among other things in the **starch and sugar industry areas.**

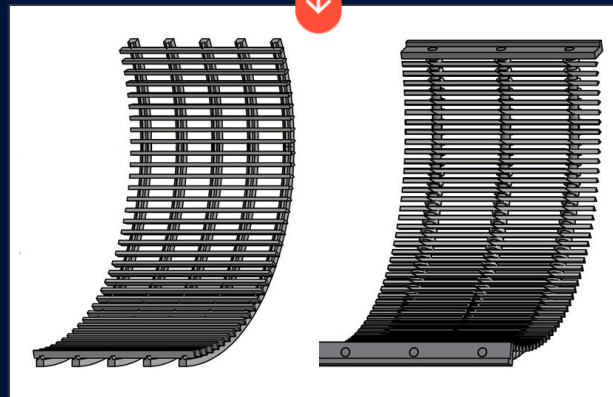
Possible setup:

CORIMA

RIMA®



The design can vary from micro-wedge wire screen to reinforced and additionally armed screen bends, depending on application and use case.



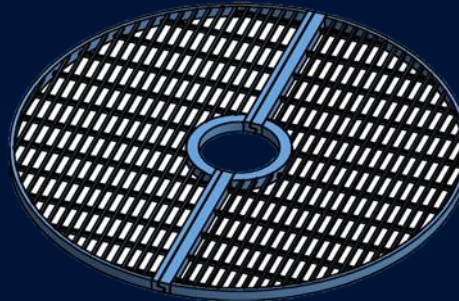
To optimise drainage and depending on demand, the wedge wire of the welded CORIMA design can be set diagonally as well.

EXAMPLE APPLICATION: BREWERY

Screen floors in the CORIMA weld gap design are used in lauter tuns for beer manufacture.

Function:

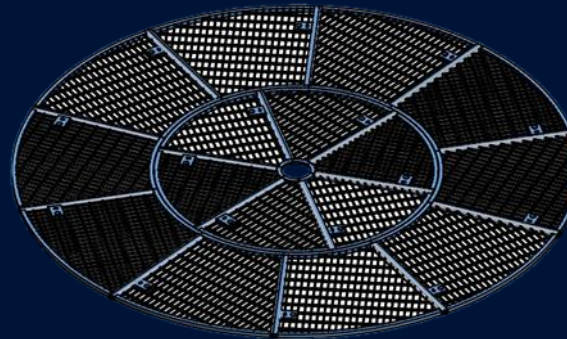
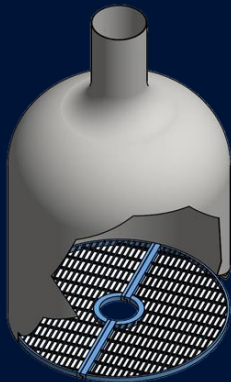
The screen floor serves as the load-bearing holder of the marc that remains behind during lautering (spent grains).
The slots permit unhindered flow of the wort.



Default setup(*) of a screen floor:

Slot width: 0.50 – 0.70 mm

Surface treatment etched or passivated

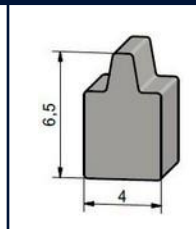
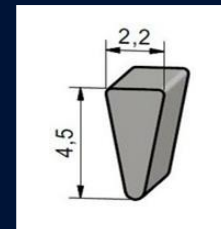


Wedge

Cross bar

28 Sb

Q 50 / 6,5



Material

1.4301

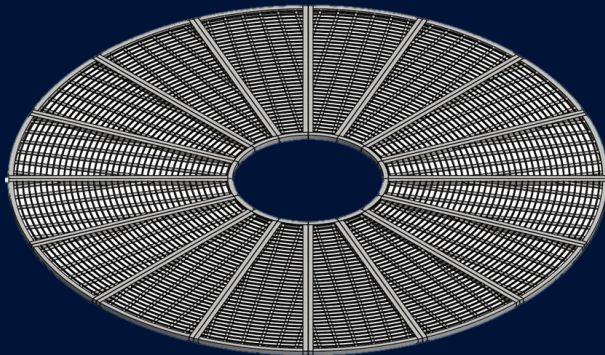
1.4301

(*) All parameters can be adjusted to the individual customer needs.

APPLICATION: SUGAR

The looped RIMA® wedge wire screen floors are used in sugar production. They play an important role in solid-liquid separation.

Structure of a sugar floor:



The conical slot expansion virtually eliminates clogging of the screen surface.

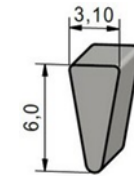


The screen floors can be produced in many different designs.

For example, the materials St 37-2, 1.4301 and 1.4404 can be chosen for strengthening and reinforcement flat bars.

Our wedge wire recommendation:

Wedge
42 Wb



Available
Materials

1.4016, 1.4301, 1.4307,
1.4404

APPLICATION: CENTRIFUGE COVERINGS

Centrifuge coverings are used, among other things, in **thrust centrifuges** and **peeling centrifuges**.

As the **core** of the extraction and filtration processes, they are often used in the **chemical** and **potash industries**.

Possible setup:

CORIMA

RIMA®

We use different **materials** depending on application and requirements:

The centrifuge coverings are produced in multiple parts, installed, and clamped in the centrifuge with rails.



1.4016 hardened, 1.4301, 1.4401,
1.4404, 1.4435, 1.4439, 1.4539,
1.4462, 1.4410, 2.4602, 3.7025